



Wellcraft®

egress systems



Code-Compliant Wells



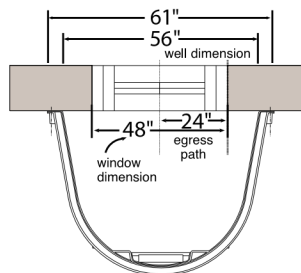
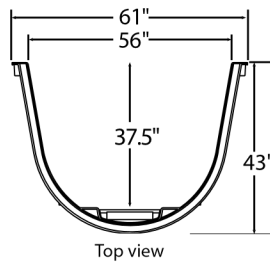
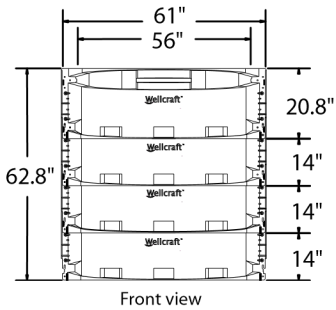
5600 Modular Well

Offers modular locking sections with an attractive maintenance free design. A typical installation uses four sections and is easy to install. The 5600 is designed for windows up to 4-foot wide. Each section weighs only 24 pounds and is easy to transport.

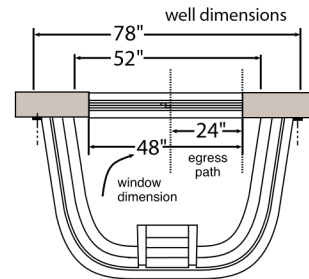
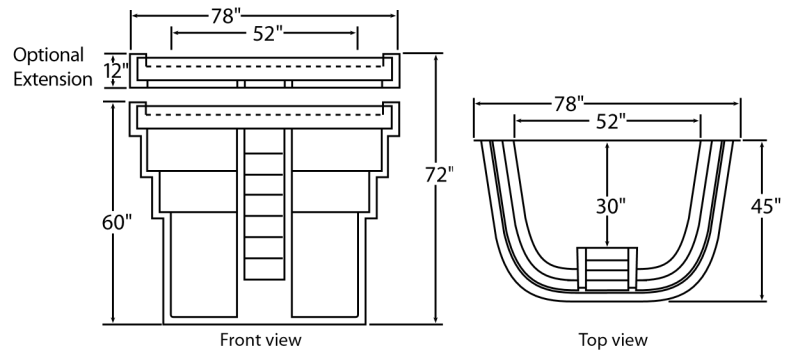
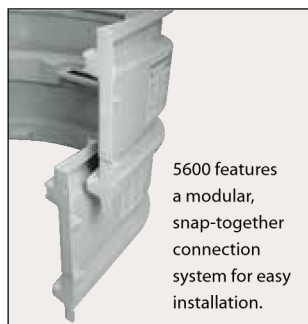


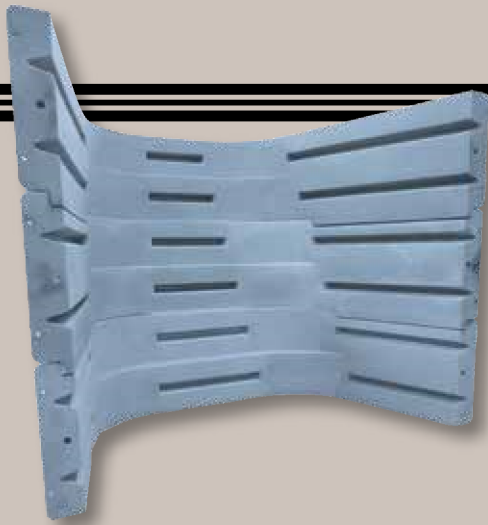
2060 Single Unit Well

Designed for use with up to 4-foot wide egress windows. One-piece construction makes this well both durable and simple to install. With the optional 12" extension, the 2060 can accommodate a greater depth. (Maximum 1 extension per unit)



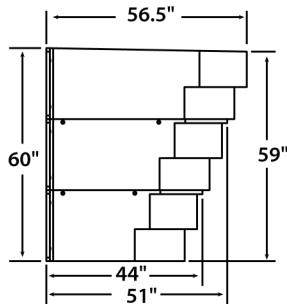
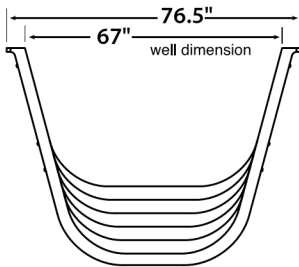
Sizing Options	
Sections	Total Height
1	20 ⁷ / ₈ "
2	34 ⁷ / ₈ "
3	48 ⁷ / ₈ "
4	62 ⁷ / ₈ "
5	76 ⁷ / ₈ "





6700 Modular Well

For large windows, the 6700 is comprised of three sections that lock together and is designed for use with 5-foot wide windows. The six terraced egress steps allow for quick and easy egress.

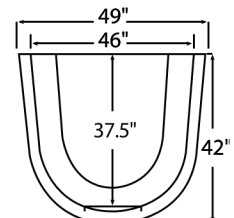
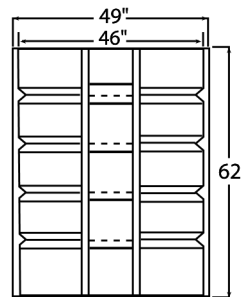


Top view

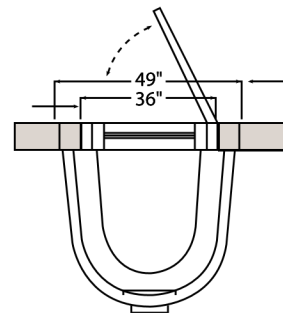


2062 Single Unit Well

Designed for use with 3-foot wide casement windows. This model is the ideal choice for projects with smaller windows. One-piece construction makes this well both durable and simple to install.



Top view



Front view

sandstone
granite grey
#020600191
#020600190